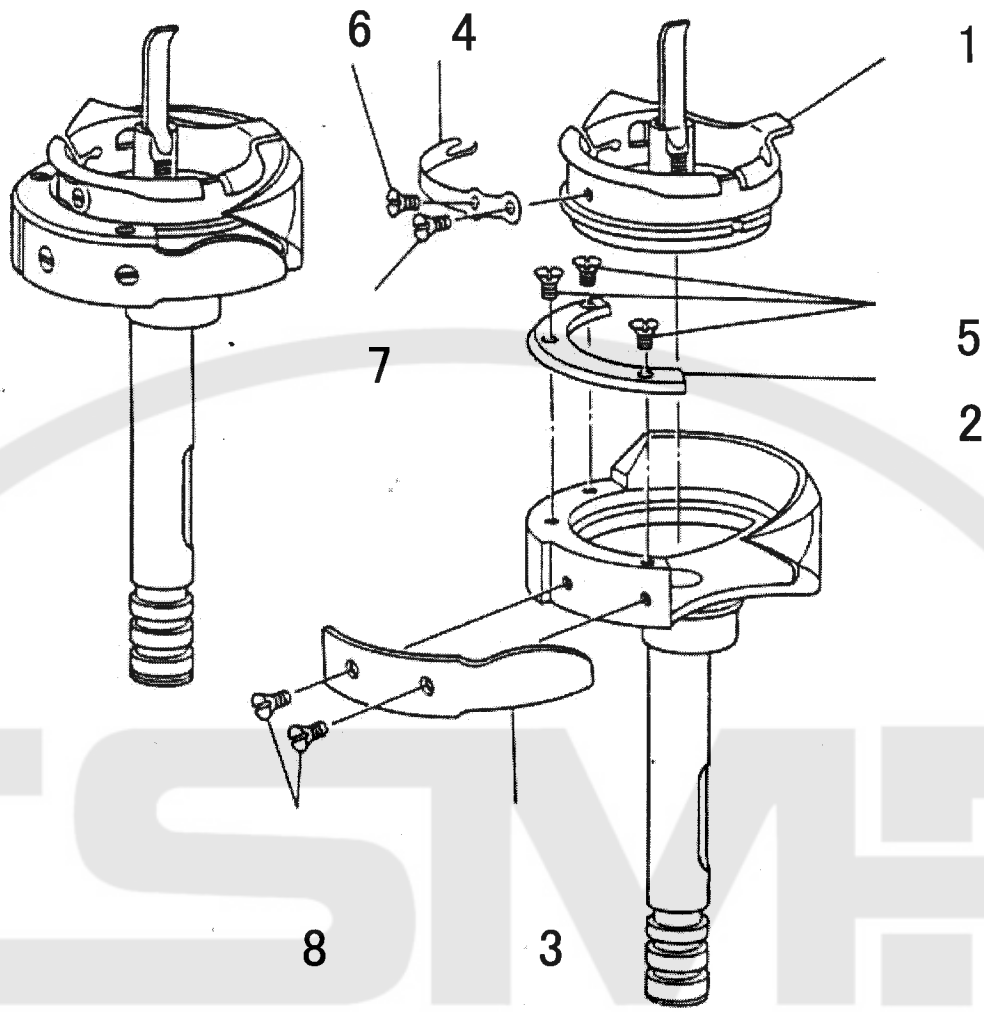


REF.NO.	NOTE	PARTS NO.	DESCRIPTION	品名	Qty
1		040-56349021	INNER HOOK	内釜	1
2		B1830-563-00A	HOOK GIB	内釜押え	1
3		040-56348961	NEEDLE POSITIONER	針受け	1
4		213-93806	TENSION SPRING	下糸調子ばね	1
5		101-12803	HOOK GIB SET SCREW	内釜押え止ねじ	3
6		040-05141184	ADJUSTING SCREW	下糸調子ばね調節ねじ	1
7		040-05140582	TENSION SPRING SET SCREW	下糸調子ばね止ねじ	1
8		228-14008	NEEDLE POSITIONER SET SCREW	針受け止ねじ	2

APPLICABLE MODELS 適用機種		
LU-1508	LU-1508N	LU-1509N
LU-1510	LU-1510N	
LU-1560	LU-1560N	LU-1561N

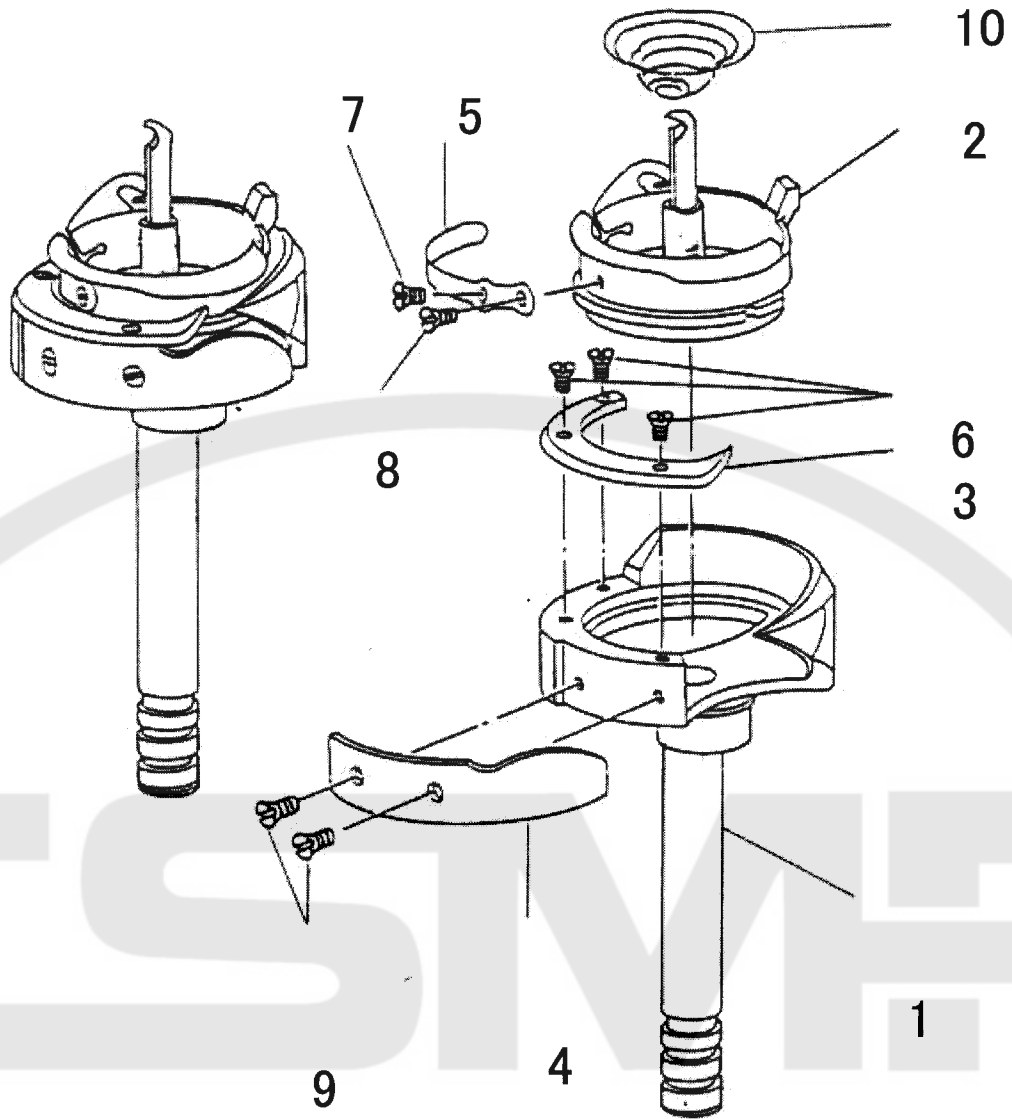
PARTS NO. B1830-563-BA0



REF.NO.	NOTE	PARTS NO.	DESCRIPTION	品名	Qty
1		040-56349022	INNER HOOK	内釜	1
2		B1830-563-B0A	HOOK GIB	内釜押え	1
3		040-56348961	NEEDLE POSITIONER	針受け	1
4		040-56349061	TENSION SPRING	下糸調子ばね	1
5		101-12803	HOOK GIB SET SCREW	内釜押え止ねじ	3
6		040-05141184	ADJUSTING SCREW	下糸調子ばね調節ねじ	1
7		040-05140582	TENSION SPRING SET SCREW	下糸調子ばね止ねじ	1
8		228-14008	NEEDLE POSITIONER SET SCREW	針受け止ねじ	2

APPLICABLE MODELS	適用機種
LU-1508H LU-1508NH LU-1509NH	

PARTS NO. 213-34552

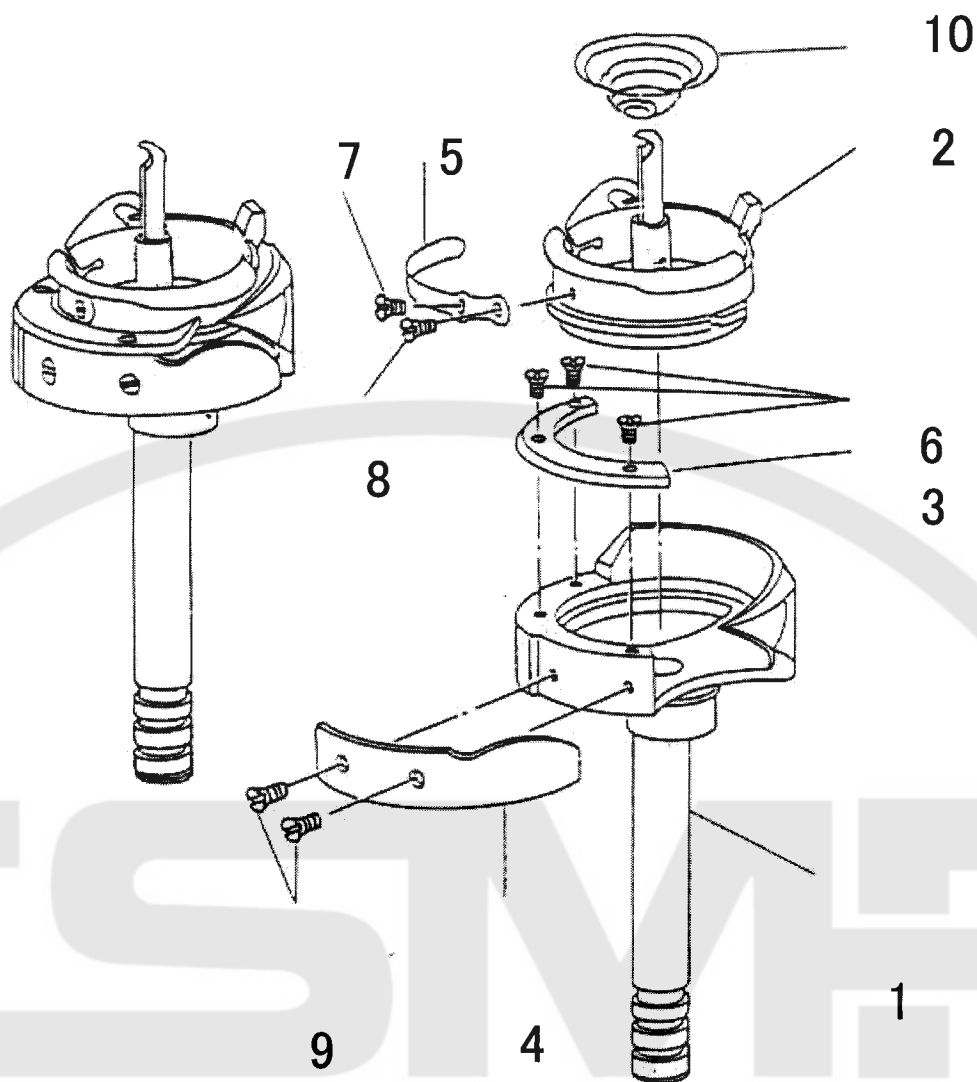


REF.NO.	NOTE	PARTS NO.	DESCRIPTION	品名	Qty
1		213-34503	OUTER HOOK	外釜	1
2		213-34404	INNER HOOK	内釜	1
3		213-34305	HOOK GIB	内釜押え	1
4		213-34206	NEEDLE POSITIONER	針受け	1
5		107-22908	TENSION SPRING	下系調子ばね	1
6		101-12803	HOOK GIB SET SCREW	内釜押え止ねじ	3
7		107-23302	ADJUSTING SCREW	下系調子ばね調節ねじ	1
8		107-23401	TENSION SPRING SET SCREW	下系調子ばね止ねじ	1
9		228-14008	NEEDLE POSITIONER SET SCREW	針受け止ねじ	2
10		107-23500	IDLING PREVENTION SPRING	空転防止ばね	1

APPLICABLE MODELS 適用機種

LU-1510-7
LU-1560-7

PARTS NO. 213-87055

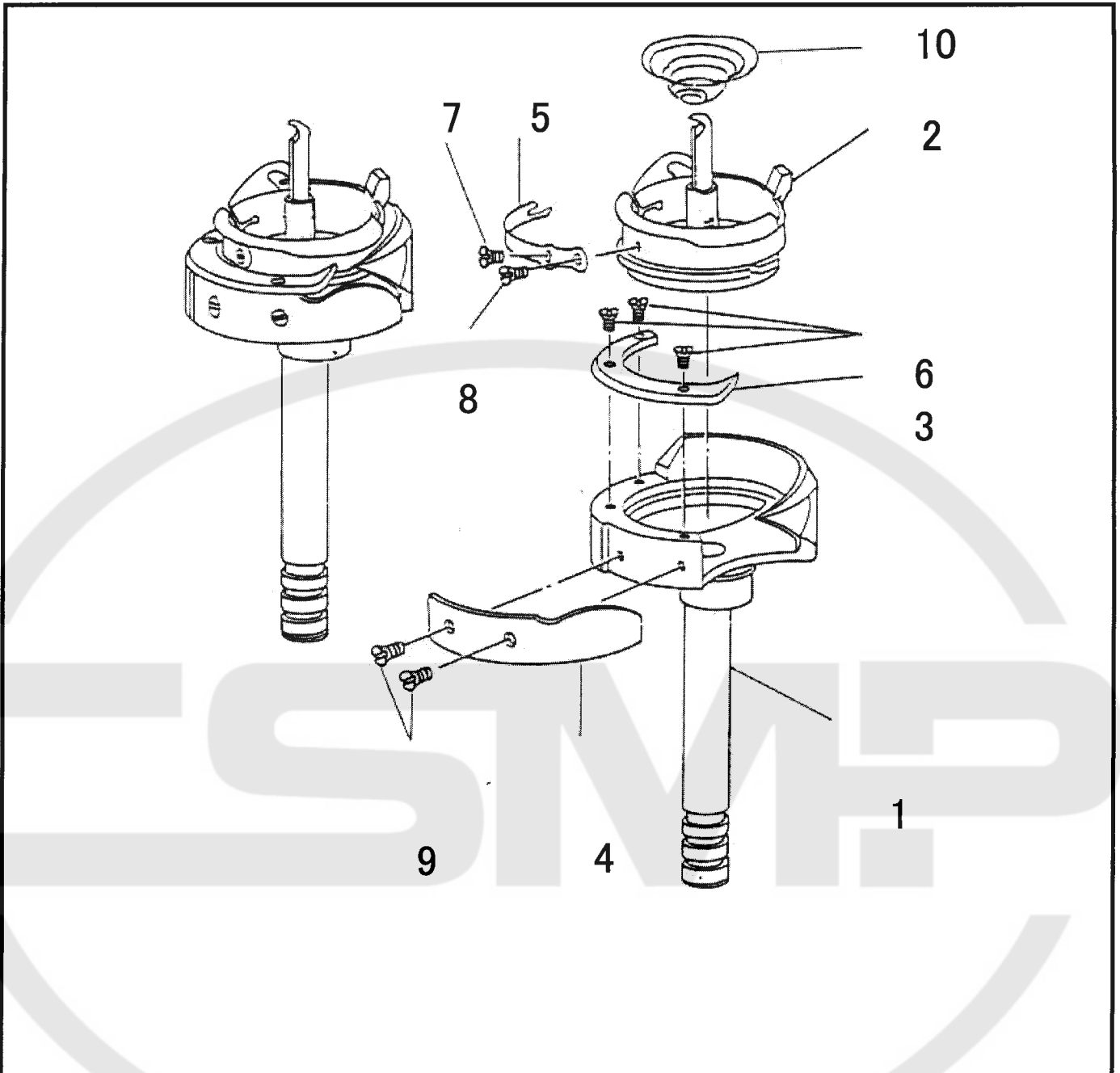


REF.NO.	NOTE	PARTS NO.	DESCRIPTION	品名	Qty
1		213-34503	OUTER HOOK	外釜	1
2		213-87006	INNER HOOK	内釜	1
3		B1830-563-B0A	HOOK GIB	内釜押え	1
4		213-34206	NEEDLE POSITIONER	針受け	1
5		107-22908	TENSION SPRING	下系調子ばね	1
6		101-12803	HOOK GIB SET SCREW	内釜押え止ねじ	3
7		107-23302	ADJUSTING SCREW	下系調子ばね調節ねじ	1
8		107-23401	TENSION SPRING SET SCREW	下系調子ばね止ねじ	1
9		228-14008	NEEDLE POSITIONER SET SCREW	針受け止ねじ	2
10		107-23500	IDLING PREVENTION SPRING	空転防止ばね	1

APPLICABLE MODELS 適用機種

LU-1510N-7	LU-1511N-7
LU-1560N-7	LU-1561N-7

PARTS NO. 213-93756



REF.NO.	NOTE	PARTS NO.	DESCRIPTION	品名	Qty
1		213-34503	OUTER HOOK	外釜	1
2		213-93707	INNER HOOK	内釜	1
3		B1830-563-00A	HOOK GIB	内釜押え	1
4		213-34206	NEEDLE POSITIONER	針受け	1
5		213-93806	TENSION SPRING	下系調子ばね	1
6		101-12803	HOOK GIB SET SCREW	内釜押え止ねじ	3
7		107-23302	ADJUSTING SCREW	下系調子ばね調節ねじ	1
8		107-23401	TENSION SPRING SET SCREW	下系調子ばね止ねじ	1
9		228-14008	NEEDLE POSITIONER SET SCREW	針受け止ねじ	2
10		107-23500	IDLING PREVENTION SPRING	空転防止ばね	1

APPLICABLE MODELS 適用機種

LU-1520N-7
LU-1521N-7